



Pop-up Combination Bath Waste Installation Instructions

Parts Supplied

(one of each of the following)

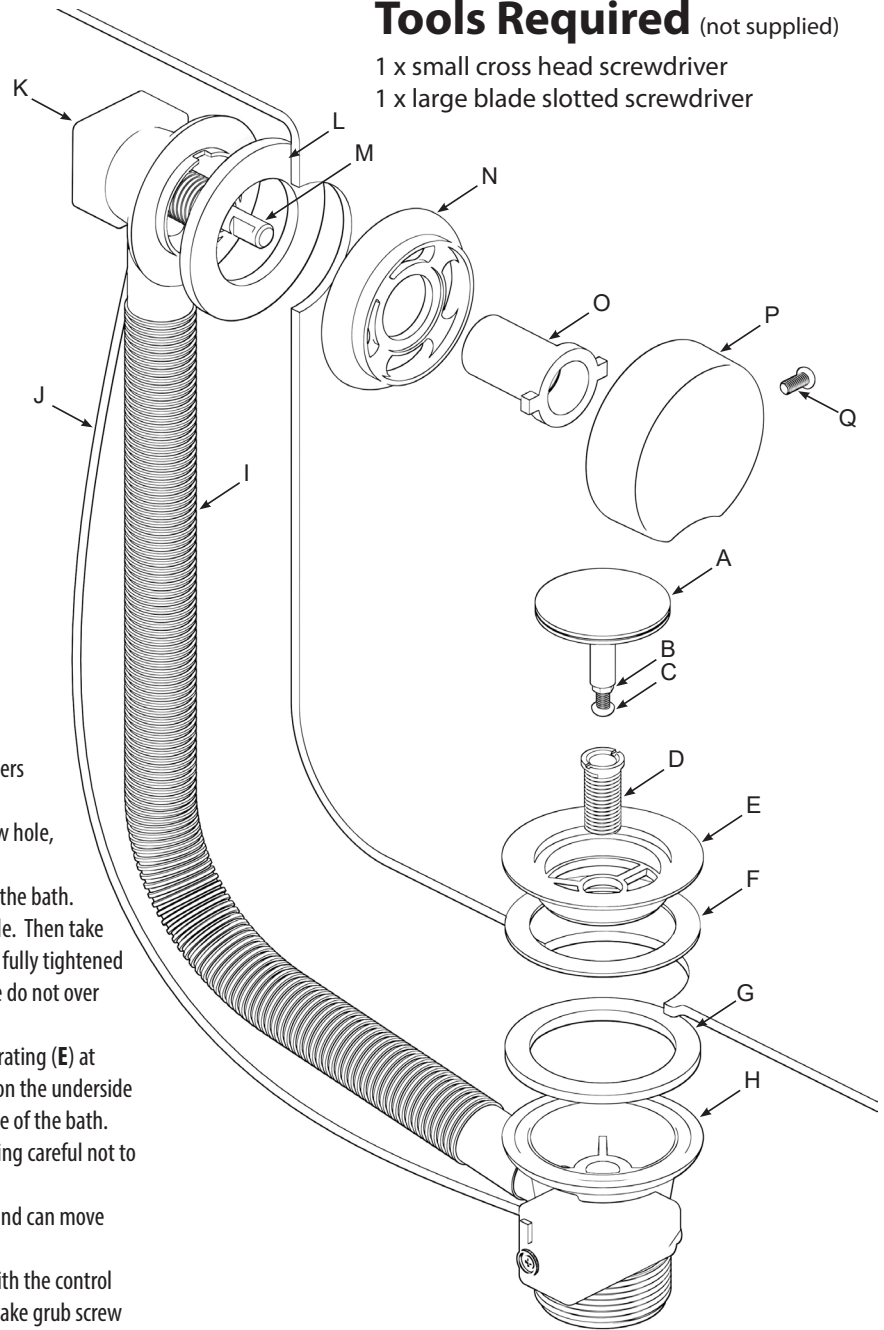
- A. Plug
- B. Nut
- C. Screw
- D. Hollow screw
- E. Waste grating
- F. Grating washer
- G. Ribbed washer
- H. Waste body
- I. Overflow
- J. Operating cable
- K. Overflow body
- L. Flat washer
- M. Brass spindle
- N. Overflow face
- O. Wing nut
- P. Control knob
- Q. Grub screw

Assembly

1. Check and familiarise yourself with all the components.
2. Take the main body of the waste (H,I,J,K) to the bath, ensuring washers (G) and (L) are in place ready for installation.
3. Locate the overflow body (K) centrally at the rear of the bath overflow hole, ensuring flat washer (L) is flush with the wall of the bath.
4. The brass spindle (M) will protrude through the overflow hole inside the bath. Keeping this central, place the overflow face (N) over the brass spindle. Then take the wing nut (O) and tighten to secure the overflow in place. Before fully tightened minor adjustments can be made to ensure overflow is central. Please do not over tighten or use excessive pressure on the wing nut.
5. To secure the waste outlet on the bath, place washer (F) and waste grating (E) at the waste hole on the inside of the bath. Locate the waste body (H) on the underside of this hole ensuring the ribbed washer (G) is flush with the underside of the bath. Now everything is in place take the hollow screw (D) and tighten, being careful not to damage the plated finish. Please do not over tighten.
6. At this point check that the operating cable (J) is not bent or kinked and can move freely.
7. Now take the control knob (P) and locate it onto the brass spindle, with the control knob access hole locating to the flat part of the brass spindle. Then take grub screw (Q) and tighten the control knob to the brass spindle through the access hole using a screwdriver.
8. Now put plug (A) into the waste. The plug should be adjusted using nut (B) and Screw (C), it should raise enough for good draining, but also sit low enough to create a good water seal when bath is full.
9. To check all joints fill the bath with water and inspect for any leaks. We advise doing this in stages starting with a small amount of water, before fully filling bath.

Tools Required (not supplied)

- 1 x small cross head screwdriver
- 1 x large blade slotted screwdriver



IMPORTANT INFORMATION

We accept no liability for products fitted incorrectly, and where the correct testing procedures have not been used, resulting in the escape of water. The finished surfaces on the product are hard and durable and we recommend regular cleaning to maintain their appearance. They should only be cleaned with warm soapy water, under no circumstances should any aggressive or abrasive cleaning agent be used as it can lead to deterioration of the high quality finish.



FOR MORE INFORMATION ABOUT ANY OF OUR PRODUCTS VISIT

www.vivasanitary.co.uk

Units 1-2, Capitol Trading Park
Kirkby Bank Road, Knowsley Industrial Park
Liverpool, Merseyside, L33 7SY

Tel: +44 (0)151 546 0531 Fax: +44 (0)151 549 4187