



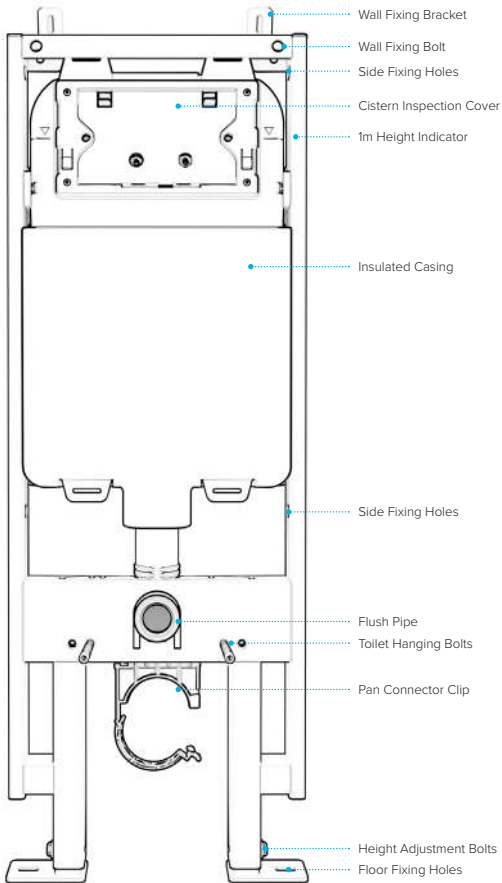
SKYLO

ULTRA WALL HUNG FRAME



We shall not be responsible or liable for any failure of, or damage to, this plumbing product caused by the use of chlorine/bleach cleaners or related products added to the tank water. Use of such products will void the warranty and may result in product failure, possibly causing property damage. Do not over tighten plastic nuts and always turn off water supply when installing / removing toilet cistern parts.

Please note: Save this instruction booklet for future reference. DO NOT use plumber's putty to seal any components of this product



PRE INSTALLATION CHECKS AND NOTES

- 1 First check for any obvious manufacturing defects i.e. Cracks.
- 2 Check all parts listed are present.
- 3 Follow installation guide carefully.
- 4 Pressure to the cistern should preferably be between 0.2 bar and 8.0 bar, if greater, it is recommended that an inline pressure reducing valve is fitted.
- 5 Pipework must be free from debris prior to installation.
- 6 Do not use plumbers putty or silicone sealant on any fittings.
- 7 Ensure the mounted surface is adequate to carry the weight of the cistern when full approx 8kg.

WARRANTY EXCLUSIONS

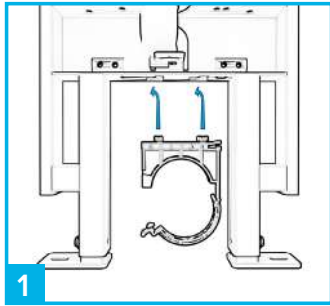
- 1 Faults that occur due to working outside the recommended pressure.
- 2 Damage found to be caused at site.
- 3 Damage caused by bleach/cleaners. It is not recommended any in tank cleaners are used as they may result in product failure and/or property damage.
- 4 Faults caused by incorrect or poor installation.
- 5 Faults caused by any other particles, dirt, silt, silicone, plumbers putty etc.
- 6 Any consequential loss or damage.

For more information please contact:

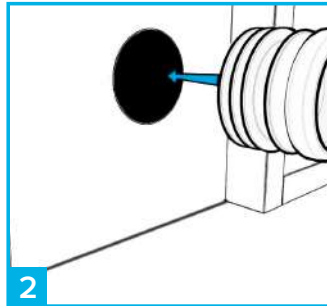
VIVA Sanitary
Units 1-3 Capitol Trading Park, Kirkby Bank Road,
Knowsley Industrial Estate, Liverpool, L33 7SY

Tel: 0151 546 0531
E-mail: sales@vivasanitary.co.uk

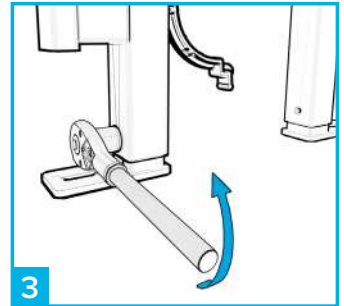
PART 1: PREPARING THE FRAME HEIGHT



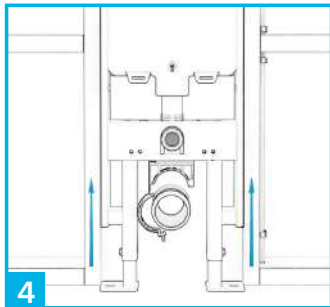
1 Insert the drain connector clip into the frame and slide to the left to lock into position. The clip can be flipped 180° to suit the pipework.



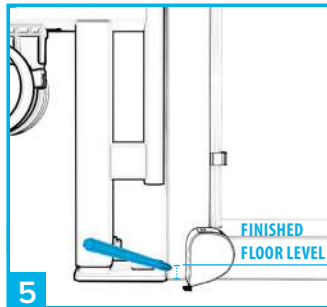
2 Insert the supplied drain connector into the soil pipe. *Optional angled drain connectors are available for connection to floor outlets.*



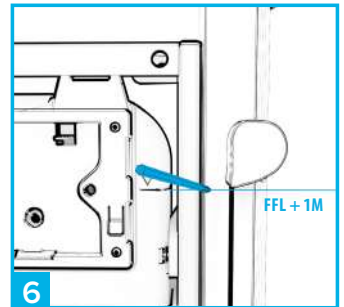
3 Loosen both height adjustment bolts on the frame using a socket wrench or spanner.



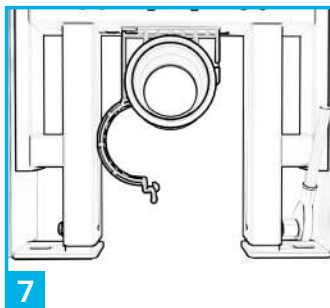
4 Position the frame into place.



5 Measure from the sub floor and mark on a joist the height of the intended finished floor level.



6 Measure up from the FFL 1m and mark on the joist. Raise the frame so that the recommended 1m indicator on the frame lines up with the 1m marking on the joist.



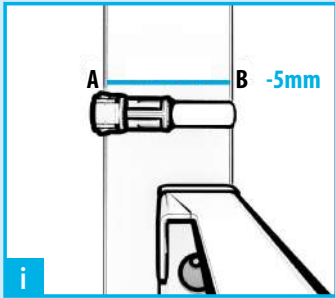
7 Tighten the height adjustment bolts on both frame legs and check that the height hasn't slipped.

FITTING FLEXIBILITY

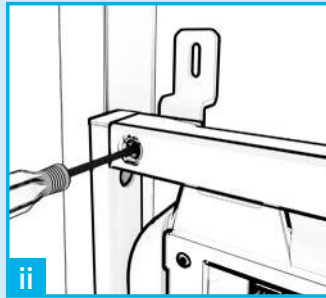
The cistern frame has been designed to fit in almost every scenario. It has even been designed to be just 75mm deep, meaning that it will fit within the void of a typical stud wall.

There are two fixing options, depending on whether you are securing it to a solid masonry wall behind the frame (option A), or to the timber studs either side of it (option B).

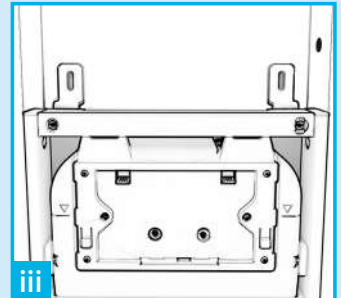
OPTION A: FIXING THE FRAME TO A SOLID WALL AND SUB FLOOR



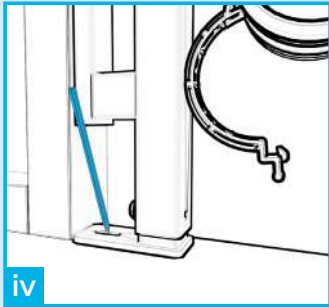
Locate the wall fixing bolts. Measure and cut the bolts using a hacksaw 5mm shorter than the total depth of the wall void. Then clip the bolts into the top frame adjustment holes.



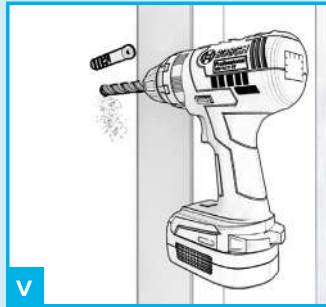
Locate the wall fixing brackets, offer them up behind the frame and using a Phillips screwdriver, screw the bolt into the bracket 2-3 full rotations.



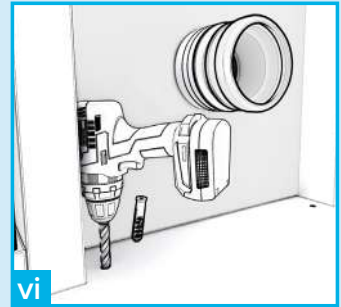
Ensuring the brackets are upright, mark on the wall the locations of the holes to be drilled.



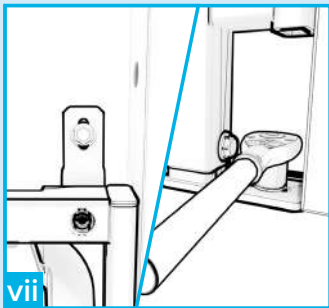
Ensuring that the feet of the frame are flush with the front edge of the joists, mark on the sub-floor the locations to be drilled.



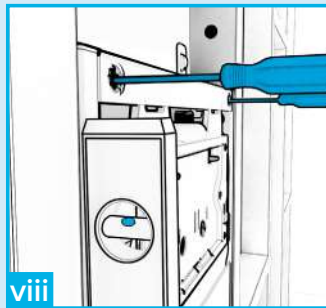
Remove frame and place to one side. Drill two 10mm holes where marked on the wall, and insert the supplied raw plugs.



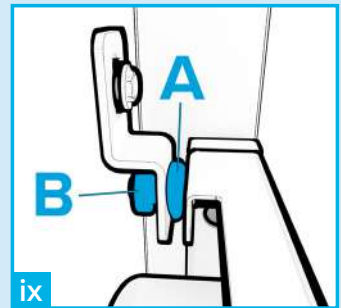
Drill two 10mm holes where marked on the sub-floor, and insert the supplied raw plugs.



Place the frame back between the joists, and using a socket wrench or spanner secure to the wall and floor using the supplied screws.

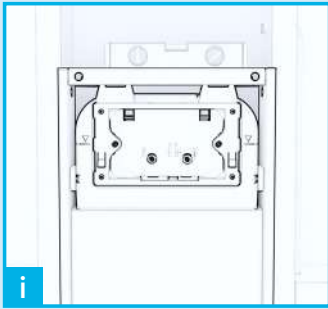


To ensure the frame is plumb, adjust the level of the frame using the adjustment bolts.



Place the locking clips onto the bolt, either side of the wall bracket and tighten as follows:
A = against frame
B = against bracket

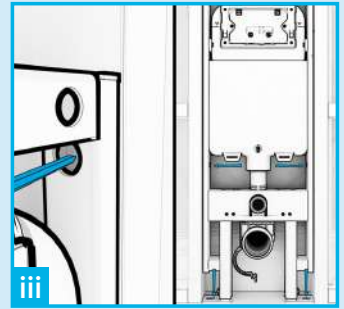
OPTION B: FIXING THE FRAME WITHIN A STUD WALL



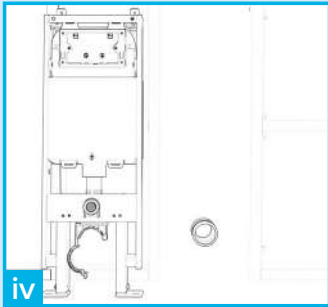
Ensure that the frame is level. If not, adjust the legs accordingly.



With the feet set flush with the front edge of the joists, ensure the frame is plumb.



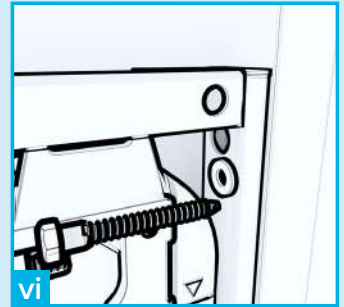
Mark the 4 frame hole locations as well as the locations of the feet holes.



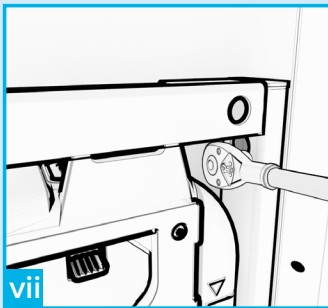
Set frame to one side.



Drill 5mm pilot holes at each marked location.

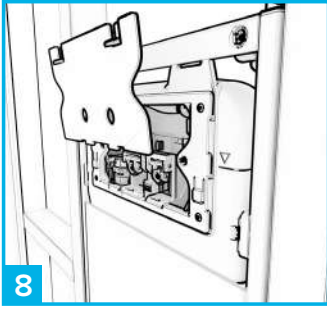


Secure with the supplied screws.

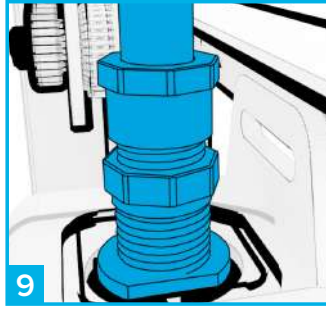


Tighten using a socket wrench or spanner.

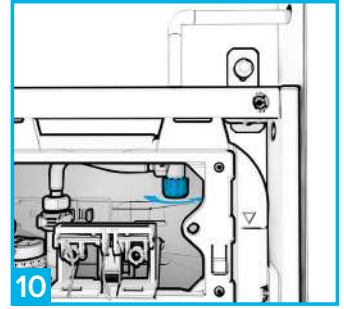
PART 2: PREPARING THE CISTERN



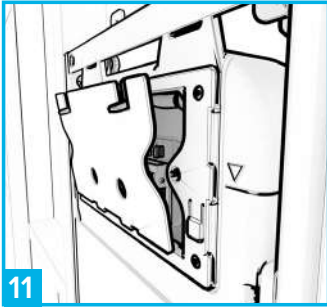
Remove the inspection plate by pinching the clips at the top.



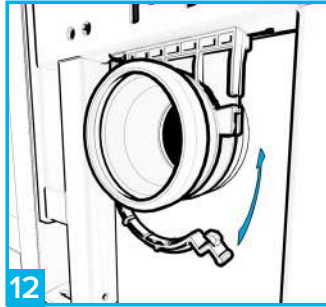
Connect the water supply to the 1/2" thread near the top right hand side of the cistern.



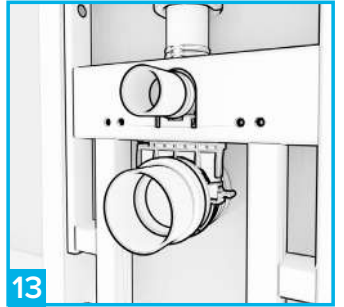
Ensure that the isolation valve is closed by twisting it fully to the right.



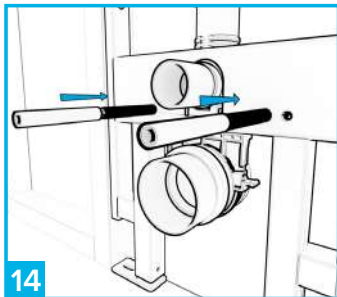
Replace the inspection plate.



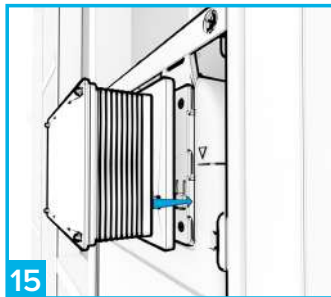
Lock the drain connector clip around the drain connector.



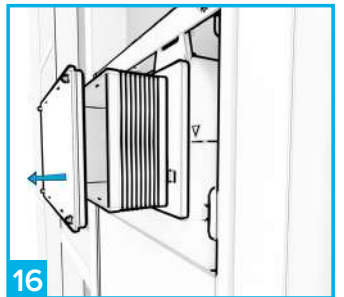
Locate and insert both flush pipe and drain connector blanks into the corresponding outlets.



Insert the toilet hanging threads, using whichever hole combination corresponds with the toilet hanging holes (180mm/230mm). Then slot the sheaths over the threads.

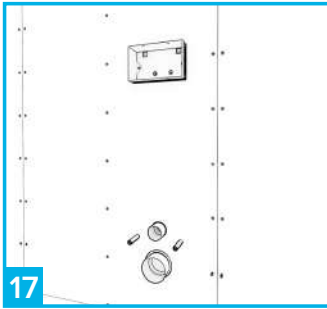


Attach the cover over the inspection plate to prevent debris getting into the cistern.

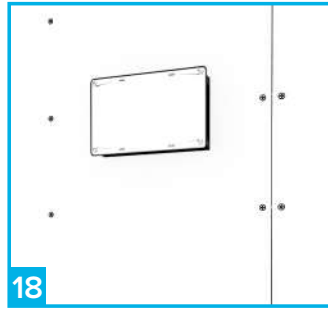


Remove the cover cap prior to completing the wall.

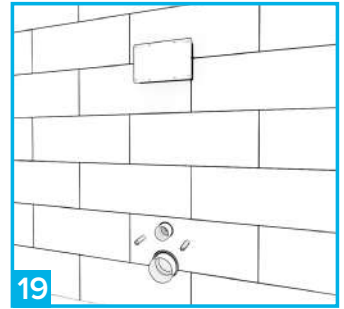
PART 3: FINISHING THE WALL & HANGING THE TOILET



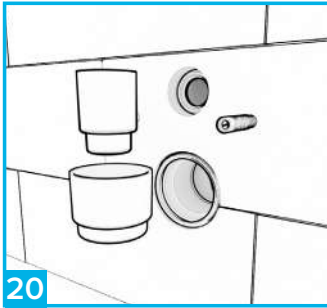
Cover the stud wall with plasterboard, cutting holes for the button opening, flush pipe and pan connector outlet.



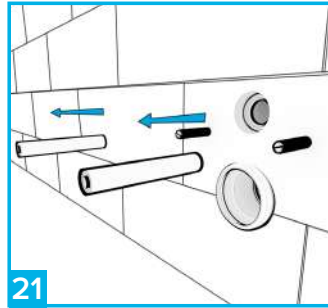
Re-attach inspection cover plate prior to tiling the wall.



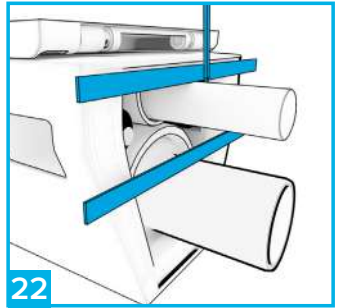
Finish the wall with tiles and grout.



Remove the flush pipe and drain connector blanks.



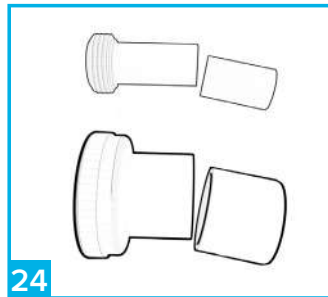
Remove or cut the toilet bolt sheaths.



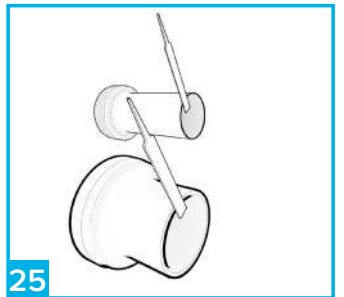
Locate the pan connector and flush pipe connector. Insert onto the rear of the toilet and mark a line on each, level with the back edge of the toilet.



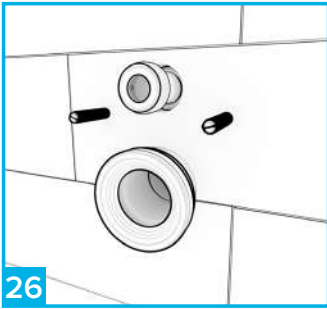
Remove the connectors from the toilet and insert fully into the corresponding wall outlets. Mark a line flush with the finished tiles.



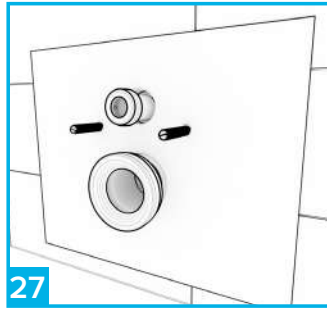
Measure the gap between the two lines, and cut off the same distance from the end of the connectors. (We would recommend removing a further 3mm)



File a small chamfer onto the outer edge of the cut ends of the connectors. Ensure they are smooth to the touch.



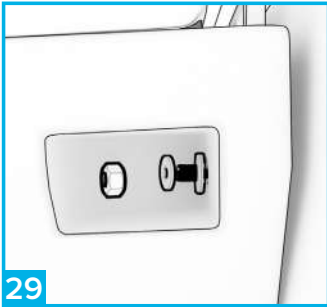
26
At this point lubricate the cut ends and insert the connectors fully into the corresponding wall outlets.



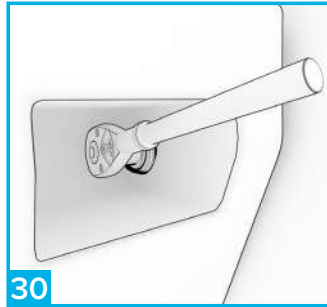
27
Locate the wall protector membrane and hang against the wall.



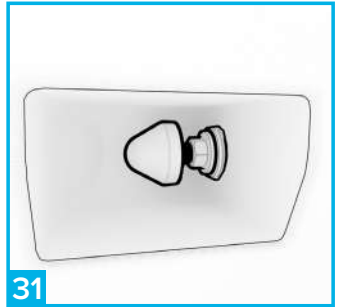
28
Place the pan onto the bolts. Ensuring someone is holding it into position check the pan is level.



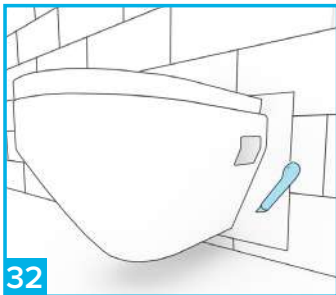
29
Secure on both sides with plastic washer, metal washer and nut. Please note depending on the brand of pan fixing method may differ.



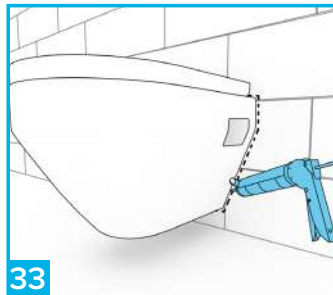
30
Tighten on both sides with a socket wrench. Do not over-tighten.



31
Place the blanking caps onto the ends of the bolts.

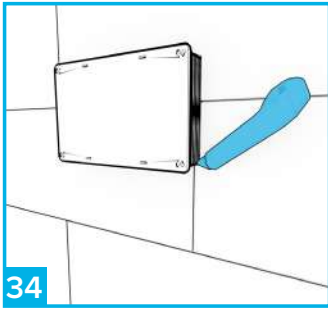


32
Cut the wall membrane around the outer edge of the toilet and discard the excess membrane.



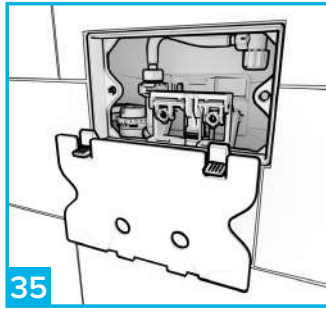
33
Once you are happy there is no leaks seal the rear edge of the toilet with silicone sealant.

PART 4: FINISHING THE WALL & HANGING THE TOILET



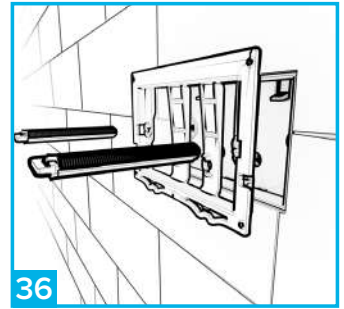
34

Cut and discard the corrugated part of the cover with a knife, flush with the finished wall tiles.



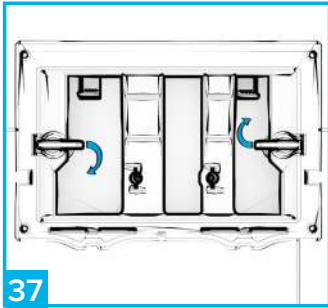
35

Remove inspection cover and turn on the water, using the isolation valve inside.



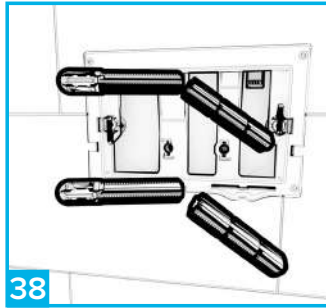
36

Attach the flush plate bracket using the rods provided.



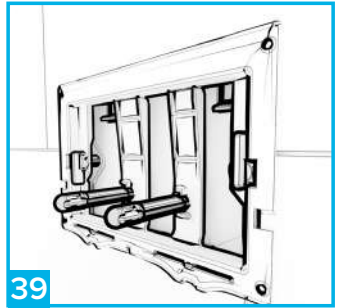
37

Rotate the clips as shown to lock and secure.



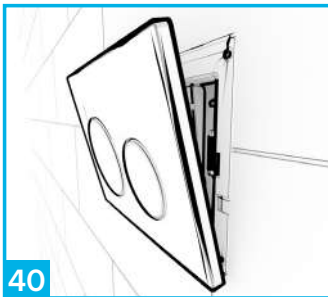
38

Depending on the depth of your wall, the central button rods may need breaking off before inserting.



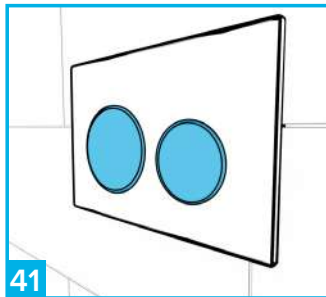
39

Insert the central button rods and secure by twisting the rod wings. They should be in a vertical position once fully secured.



40

Apply the flush button, firstly onto the lower spring clips and then return the top edge to the wall and allow to drop onto the clip.



41

The left button is for a full flush and the right button is for half flush operation.