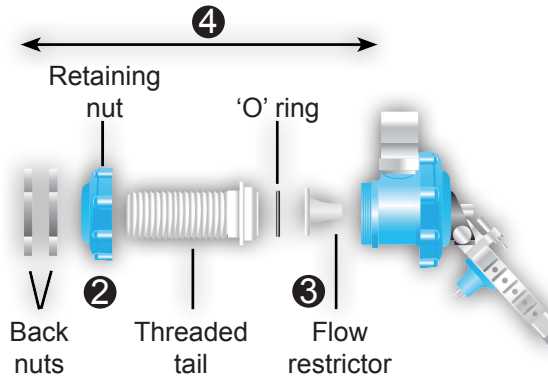


Maintenance of filling valve

The procedure for cleaning the valve is as follows:

- 1 Turn off the water.
- 2 Unscrew retaining nut.
- 3 Remove 'O' ring and flow restrictor and wash thoroughly.
- 4 Assemble parts in reverse order as above.
- 5 Turn on water.

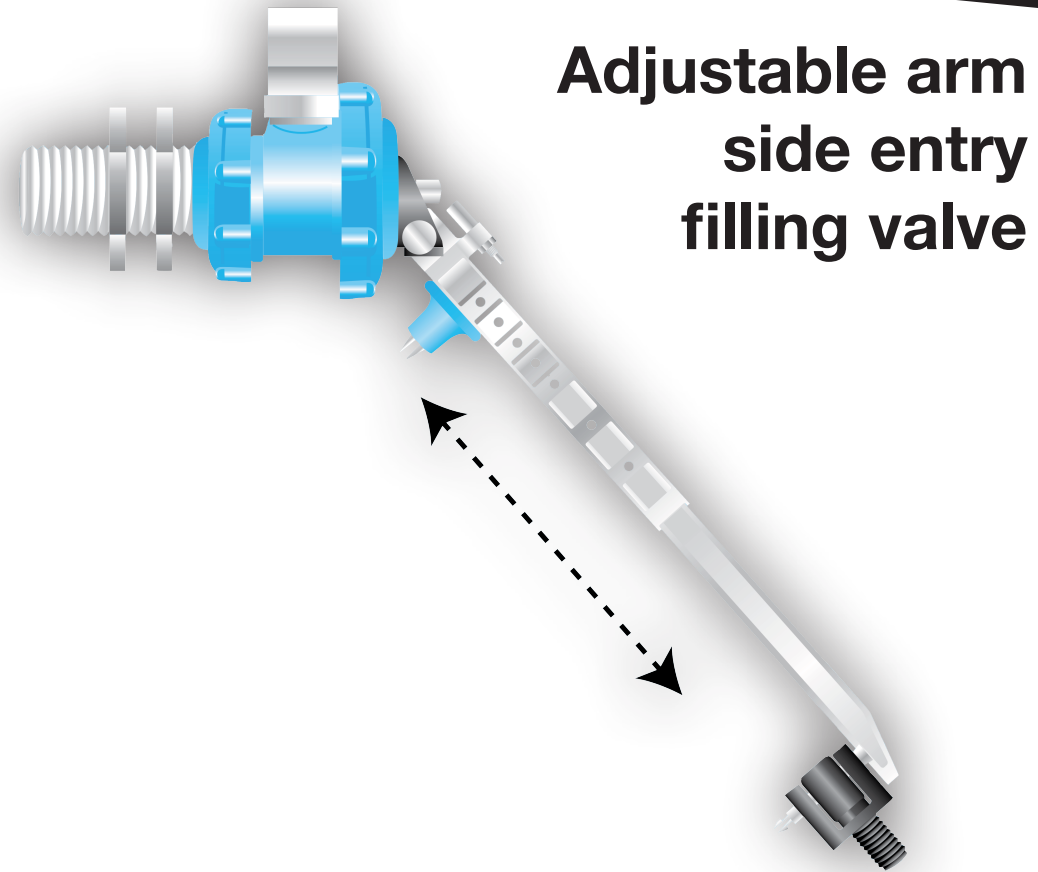


Restrictors and water pressures

The Delchem valve as supplied is fitted with high pressure restrictor seat as standard (white).

The valve is also accompanied by a low pressure restrictor seat (red) attached to float arm. The high pressure (white) seat is intended for use with water pressures from a minimum of 3 bar to a maximum of 14 bar. The low pressure (red) seat is intended for use with water pressure of 3 bar and below.

Warning:
Solder flux and some sealing compounds can damage this plastic plumbing product.



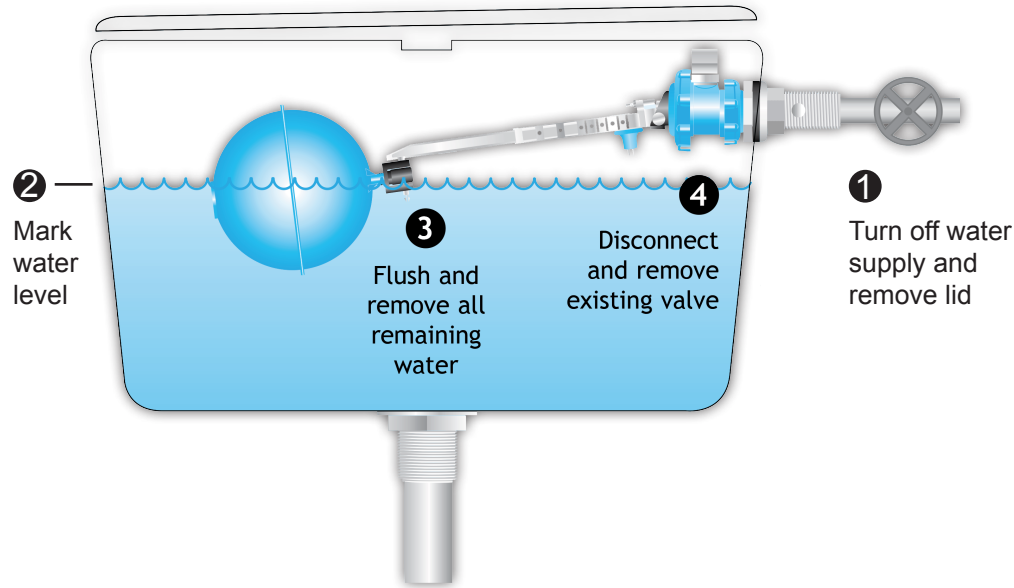
Adjustable arm side entry filling valve

- Robust design
- Proven performance
- UK manufacturer

STAGE 1

Pre-installation

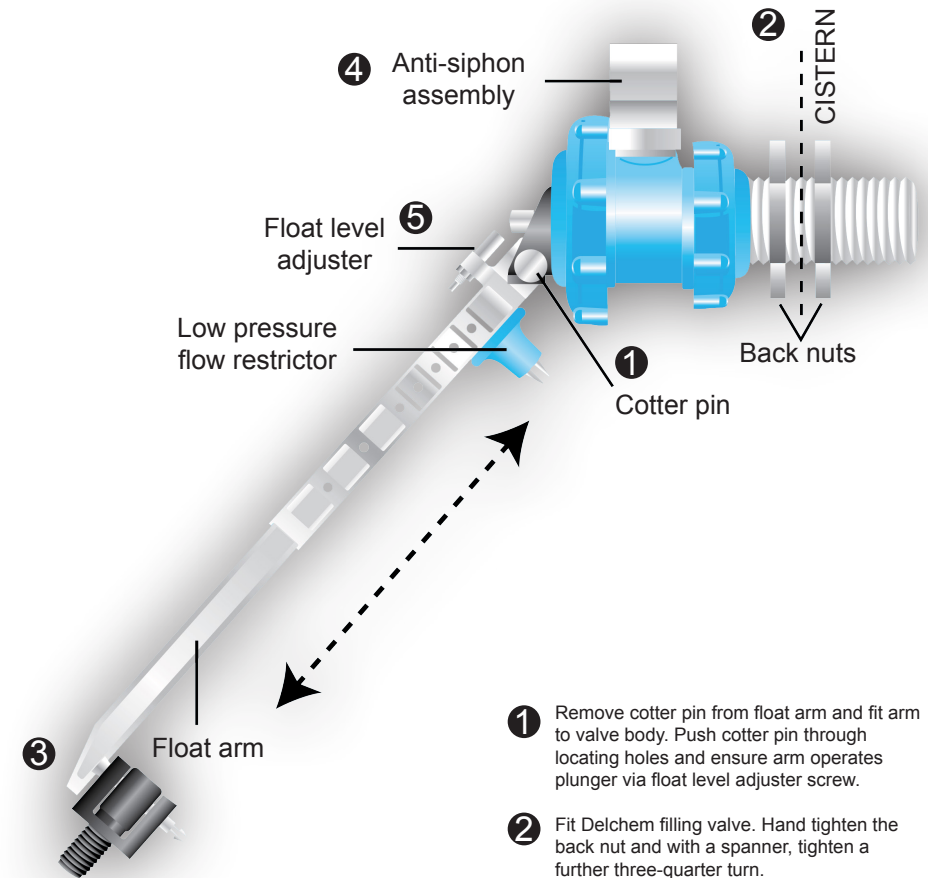
- 1 Turn off the water supply to cistern and remove cistern lid.
- 2 While still full, mark the normal water level on the inside of the cistern.
- 3 Flush the cistern and remove all remaining water with a sponge or cloth. Ensure all dirt and loose particles are removed as they could impair the operation of the flushing valve.
- 4 Disconnect and remove existing filling valve.



Valve can be fitted on either side of the cistern

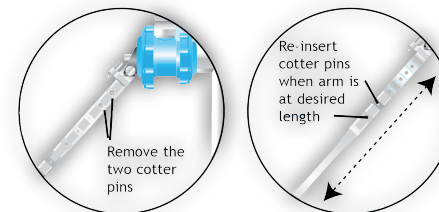
STAGE 2

Fitting your Delchem filling valve



- 1 Remove cotter pin from float arm and fit arm to valve body. Push cotter pin through locating holes and ensure arm operates plunger via float level adjuster screw.
- 2 Fit Delchem filling valve. Hand tighten the back nut and with a spanner, tighten a further three-quarter turn. **Do not over-tighten.**
- 3 Fit suitable ball float to end of float arm.
- 4 Check anti-siphon assembly is held securely by retaining nut.
- 5 Turn on water supply. Allow cistern or tank to fill. Adjust water level by rotating the float level adjuster screw. The screw operates the plunger which opens and closes the valve. When correct water height is achieved, lock the adjusting screw in position by tightening hexagonal nut.

Arm Adjustment



Remove the two cotter pins from their pre-set locations, extend arm to desired length. Line up holes in the two parts and re-insert the cotter pins to fix arms length.