



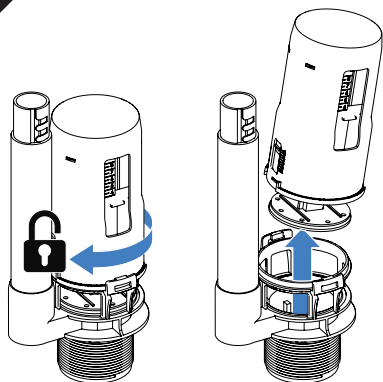
IMPORTANT NOTES

Before installation flush supply pipes and ensure cistern is clean and free from debris.

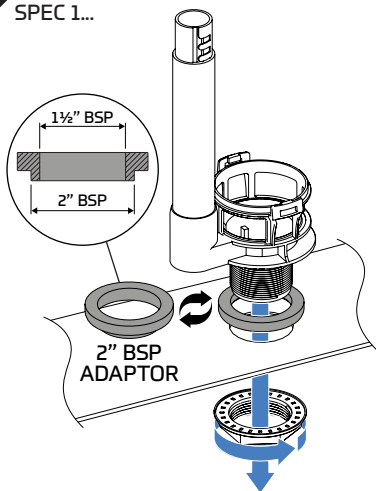
No sealing compound, paste, flux or solvent to be used in contact with plastic or rubber surfaces to avoid damage. Rubber washers will provide adequate seal. PTFE tape may be used on threads. No chemical block/additive to be used in this cistern.

Do not over-tighten plastic fasteners. Hand tight + ¼ turn is recommended and should provide an adequate seal.

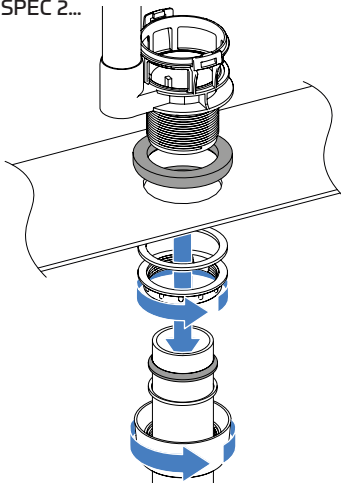
1



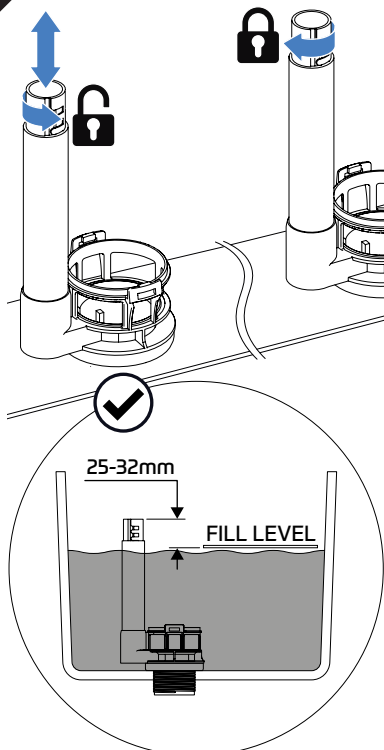
2a SPEC 1...

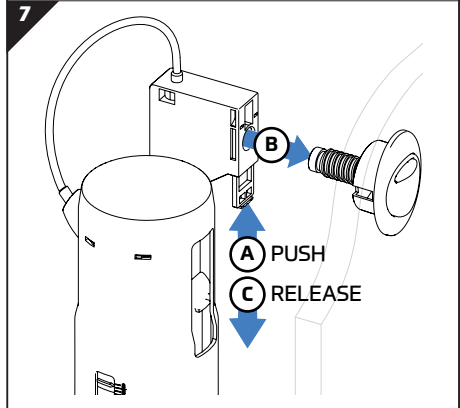
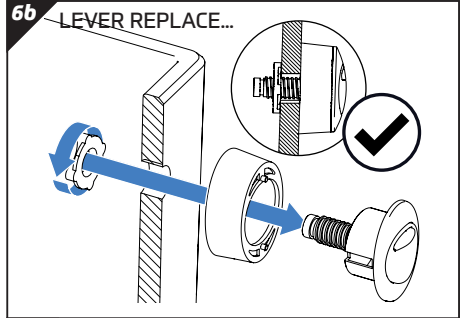
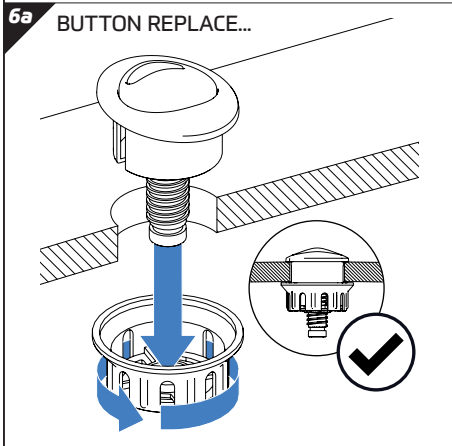
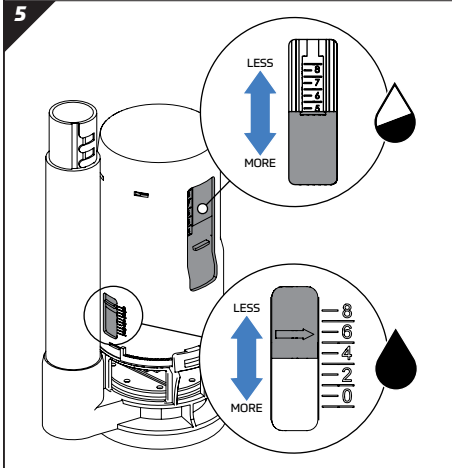
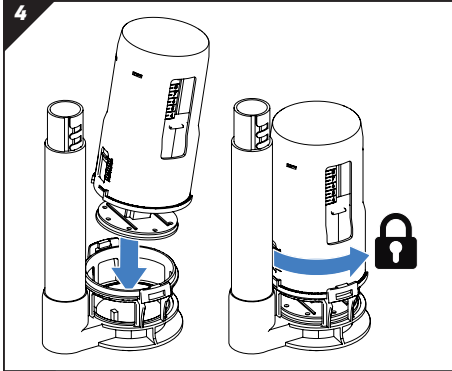


2b SPEC 2...



3





- 8** **Final Installation Checklist**
- ~ Check moving components are not obstructed and move freely.
 - ~ Check connections are secure and fixed correctly.
 - ~ Connect and turn on water supply.
 - ~ Check installation for leaks.
 - ~ Check water level aligns to that marked on cistern.
 - ~ Hold the inlet valve open (float down) to check overflow operation is sufficient.
 - ~ Installer to ensure cistern complies with UK water regulations.
 - ~ Visit www.tyde.co.uk for service & maintenance information.

TYDE
 295 Birmingham New Road
 Dudley, West Midlands
 United Kingdom
 DY1 4SJ

A Thomas Dudley Business
 t +44 (0)121 557 5411
 f +44 (0)121 557 5345
 e info@tyde.co.uk
 w www.thomasdudley.co.uk/tyde

