



### Applications

Designed for use with Dudley push buttons, push plates and touch free flush sensors.

### Water Saving

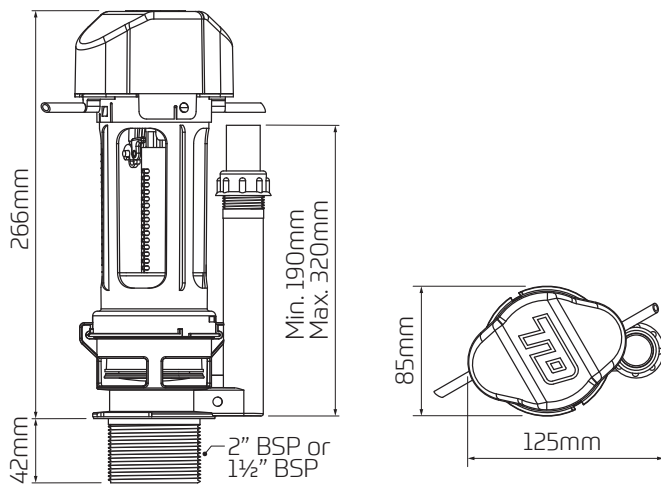
~ 6/4 litre dual flush.

### Features

- ~ A wide range of compatible push buttons, push plates and touch free flush sensors available.
- ~ Available with standard 2" BSP (60mm) or 1½" BSP (48mm) outlet connection
- ~ ¼ turn bayonet fitting enables valve body to be quickly and easily removed from the cistern
- ~ Valve servicing in less than 5 minutes without disconnecting water supply or dismantling cistern
- ~ Long life silicon rubber seal
- ~ WRAS approved.



### Dimensional Data



### Technical Data

Outlet	2" BSP (60mm)
Flush Volume	6/4 Litre Dual Flush, 6 Litre Single Flush
Pneumatic Tube Length	750mm
Cistern Type	Concealed Pneumatic